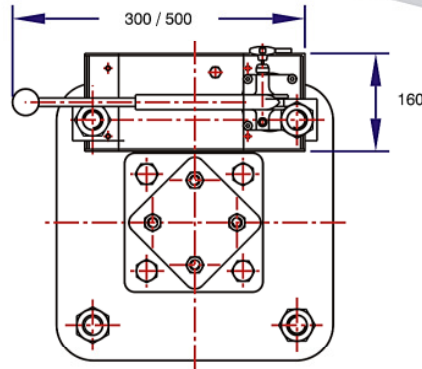
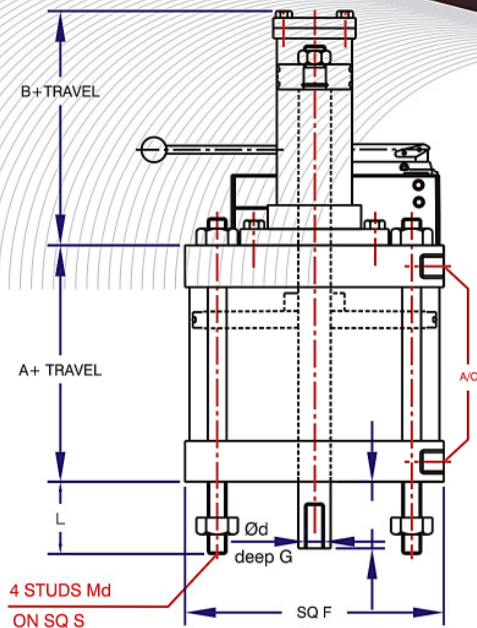


SERIES : WH

DOUBLE ACTING AIR CYLINDER

(1) With Hydraulic Manual Override

(2) With Rack and Pinion Type Manual Override



TECHNICAL SPECIFICATION OF HAND PUMP
 CONSTRUCTION : DIFFERENTIAL PISTON WITH SINGLE HAND LEVER
 HYDRAULIC MEDIUM : MINERAL OIL (ISO VG 68 GRADE RECOMMENDED)
 MAX. WORKING PRESSURE : 250 BAR
 FLOW CAPACITY : FLOW PER STROKE ML

UP TO 30 BAR	ABOVE 30 BAR
49	5

DIMENSIONAL DATA

CYLINDER MODEL	Cylinder Thrust in kN @		
	3 Bar	4 Bar	5 Bar
WC04	2.2	2.9	3.6
WC05	3.5	4.7	5.9
WC06	5.2	6.9	8.6
WC08	9.3	12.4	15.6
WC10	14.7	19.6	24.5
WC12	21.0	28.0	35.0
WC14	28.8	38.4	47.9
WC16	37.7	50.3	62.9
WC20	59.1	78.8	98.5
WC26	99	132	166



DIMENSIONAL DATA

CYLINDER MODEL	Cylinder Size	B
WH4/2	100	159
WH5/2	125	159
WH6/2	150	159
WH8/2A	200	159
WH10/3	250	159
WH12/3	300	159
WH14/4	350	212
WH16/4	400	212
WH20/5	500	212

Material of Construction

PART NO	PART NAME
1.	PNEUMATIC CYLINDER
2.	HYDRAULIC CYLINDER
3.	STOP VALVE
4.	4/3 HAND OPERATED VALVE
5.	HAND PUMP
6.	RELIEF VALVE
7.	OIL TANK
8.	DRAIN VALVE
9.	LEVEL INDICATOR

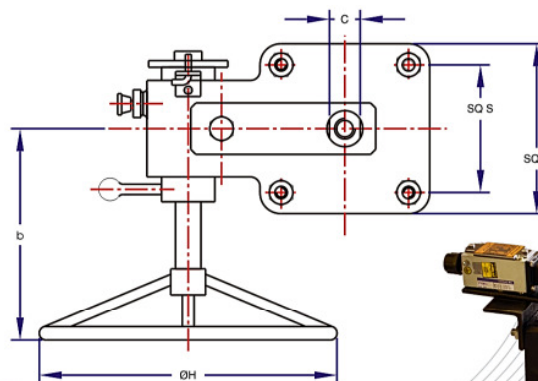
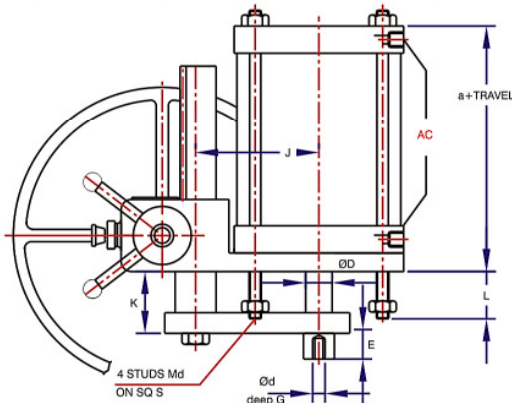
NOTE: Drawing shown in valve open position.

SERIES : WR

DOUBLE ACTING AIR CYLINDER (with rack & pinion type manual override)

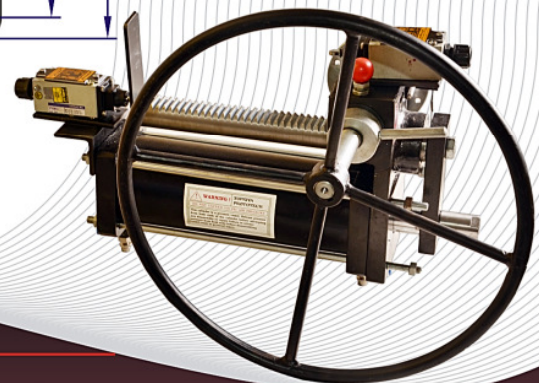
DIMENSIONAL DATA

CYLINDER MODEL	Cylinder Size	a	b	ØH	J	K
WR04	100	122	253	300	100	60
WR05	125	122	253	300	113	60
WR06	150	122	253	300	125	60
WR08	200	122	253	300	151	60
WR10	250	122	253	400	178	60



NOTE :

1. Other drive sizes are available on request.
2. Air connection NPT sizes available on request.
3. For other dimensions and rod end details refer Catalogue Series WC.
4. Other materials not mentioned above are available on request.
5. All dimensions are in mm.



SUPRIYA PROTOTECH
Range of Valves and Accessories



C-43, 44, 45, Industrial Estate, Gokul Road, HUBLI - 580 030, Karnataka, India.

Phone : (0836) 2212417, Fax : 0836-2333641. E-mail : sales@supriyaprototech.com. Website : www.supriyaprototech.com